

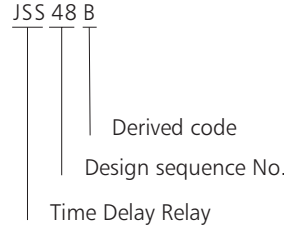


JSS48B Time Delay Relay

1. General

JSS48B Time Delay Relay is applicable for controlling circuit @ A.C. 50Hz/60Hz, up to 380V rated supply voltage and up to D.C. 240V rated supply voltage as delay element to make or break circuit according to preset time.

2. Type designation



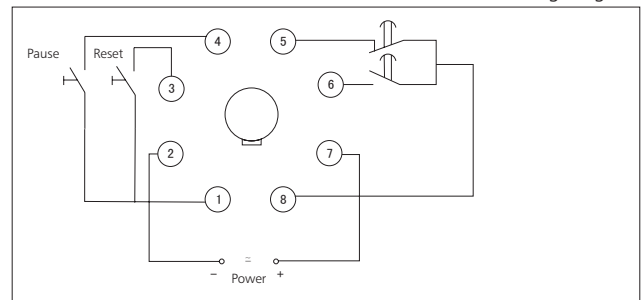
Note: this product is applicable for wide range operating voltage, for instance, operating voltage within AC/DC24V~48V means it can operate normally within the voltage range of AC/DC 24V to 48V.

3. Technical data

Type	JSS48B
Operating mode	Power on delay
Contact number	Delay 1 Switching
Operating voltage	AC/DC: 24V~48V, 100V~240V, AC220V AC380V 50Hz/60Hz
Electrical Endurance	1×10^5
Mechanical Endurance	1×10^6
Delay precision	$\pm 0.05\% \pm 50\text{ms}$
Ambient temperature	$-5^\circ\text{C} \sim +40^\circ\text{C}$
Delay range	0.01s~99.99s 1s~99min59s 1min~99h59min
Installation mode	Panel type

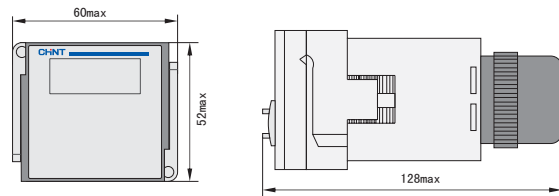
4. Wiring diagram

JSS48B Wiring diagram



5. Overall and mounting dimensions (mm)

Profile and installation dimension of JSS48B series products



Opening size

