

## HH15/QSA Fuse-switch Disconnecter

### 1. General

#### 1.1 Application

Mainly used in the distributing and motor circuit which has high short-circuit current, and acted as main switch or master switch infrequently operated by hand, it is particularly suitable in the relative high class with drawable low voltage complete equipment. They provide safety isolation and protection against overcurrent for any low voltage electrical circuit.

#### 1.2 Standard: IEC/EN 60947-3.

#### 1.3 General characteristic

Full-enclosed structure  
Unique rolling insert type contact system.



## 2. Switch disconnecter (with fuse)

### 2.1 Ordering information

HH15 - □ / □ □ □ □

QSA: Switch-disconnector fuse  
(to be matched with fuse)

No. of auxiliary contacts

0: no auxiliary contact

1: 1 pair of auxiliary contact

2: 2 pairs of auxiliary contact

No. of poles

2: 2 poles

3: 3 poles

4: 4 poles

Rated operating current

Series No.

Note: User should order RT(NT) series additional to assemble a switch-disconnector fuse

**Note: This switch should be used with RT36 (NT,RT16) or RT20 series fuses provided by the user. This switch may only be operated outside the cabinet.**

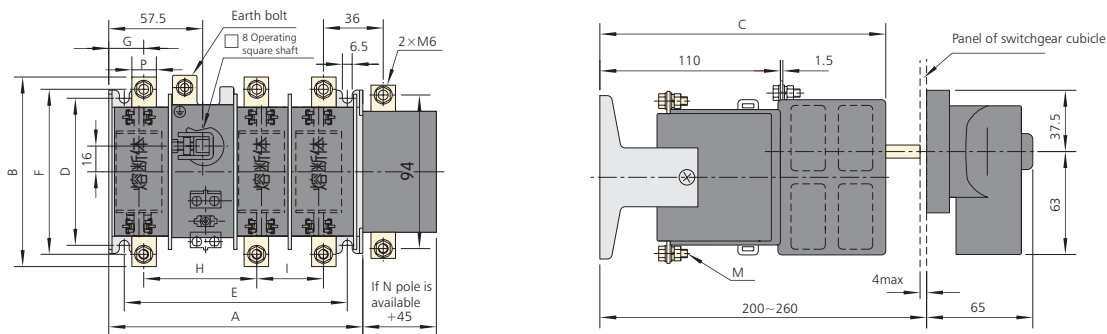
### 2.2 Property

| Specification                                      | HH15-63                           | HH15-125 | HH15-160 | HH15-250 | HH15-400 | HH15-630 | HH15-800 | HH15-1000 | HH15-1250 |      |      |
|--|-----------------------------------|----------|----------|----------|----------|----------|----------|-----------|-----------|------|------|
| No. of poles                                       | 3, 4, 3+N                         |          |          |          |          |          | 3, 4     |           |           |      |      |
| Rated insulating voltage Ui(V)                     | Ue=400V,Ui=690V.Ue=690V,Ui=1000V. |          |          |          |          |          | 800V     |           |           |      |      |
| Rated operating voltage Ue(V)                      | AC400                             |          |          |          |          |          | AC415    |           |           |      |      |
|  | AC690                             |          |          |          |          |          | AC690    |           |           |      |      |
| Conventional thermal current(A)                    | 63                                | 125      | 160      | 250      | 400      | 630      | 800      | 1000      | 1250      |      |      |
| Rated operating current(A)                         | 400V:AC-23B/415V:AC-22B           |          | 63       | 125      | 160      | 250      | 400      | 630       | 800       | 1000 | 1250 |
|  | 690V:AC-23B/690V:AC22B            |          | 63       | 100      | 160      | 250      | 315      | 425       | 500       | 500  | 500  |
| Rated Limiting Short-circuit current 400V/H(kA)    | 100                               | 100      | 100      | 100      | 100      | 100      | 100      | 100       | 100       |      |      |
| Rated Limiting Short-circuit current when 690V(kA) | 50                                | 50       | 50       | 50       | 50       | 50       | 50       | 50        | 50        |      |      |
| Mechanical life                                    | 15000                             | 15000    | 12000    | 12000    | 12000    | 3000     | 500      | 500       | 500       |      |      |
| Electric Life                                      | 1000                              | 1000     | 300      | 300      | 300      | 200      | 100      | 100       | 100       |      |      |
| Rated current of fuse 400V/690V(A)                 | 63/63                             | 125/100  | 160/160  | 250/250  | 400/315  | 630/425  | 800/500  | 1000/630  | 1250/800  |      |      |

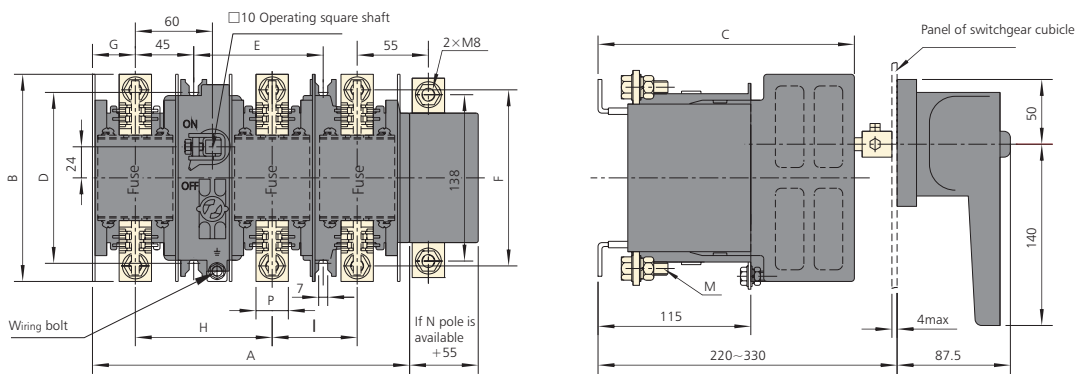
| Specification  |           | HH15-63 | HH15-125 | HH15-160 | HH15-250 | HH15-400 | HH15-630 | HH15-800, 1000, 1250 |
|--|-----------|---------|----------|----------|----------|----------|----------|----------------------|
| Model of fuse  | 400V/415V | RT16-00 | RT16-00  | RT16-00  | RT16-1   | RT16-2   | RT16-3   | HDLRS3               |
|  |           | RT20    | RT20     | RT20     | RT20     | RT20     | RT20     |                      |
|  |           | NT00    | NT00     | NT00     | NT1      | NT2      | NT3      |                      |
|  | 690V      | RT16-00 | RT16-00  | RT16-00  | RT16-1   | RT16-2   | RT16-3   | HDLRS3               |
| Operating torque (N • m)   |           | 7.5     | 7.5      | 16       | 16       | 16       | 30       | 40                   |
| Conventional thermal current of auxiliary contact<br>Ith 400, AC-15(A) |           | 5       | 5        | 5        | 5        | 5        | 5        | 5                    |

2.3 Dimension (mm)

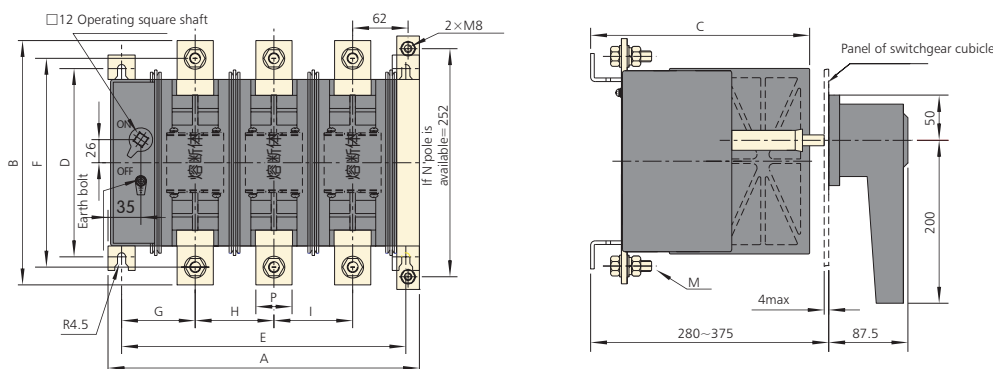
HH15-63, 125/QSA

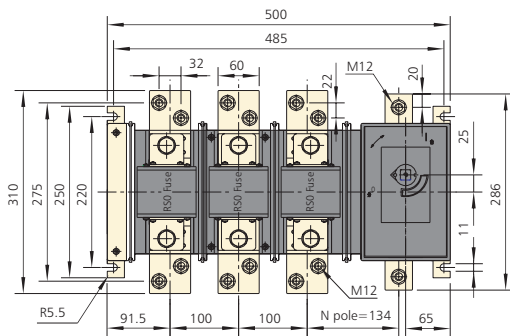
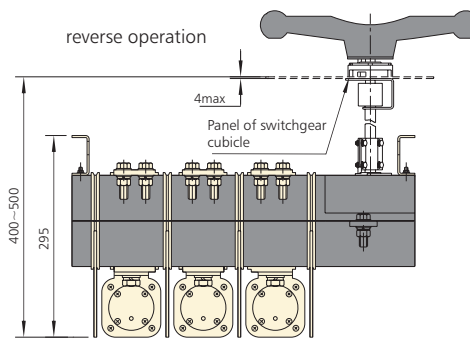
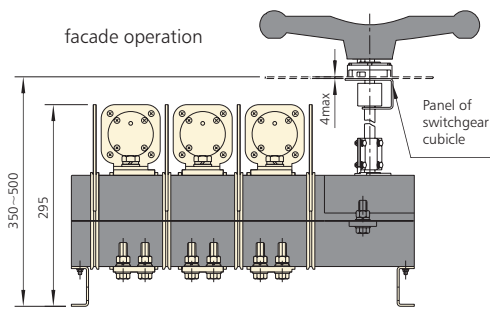


HH15-160, 250, 400/QSA

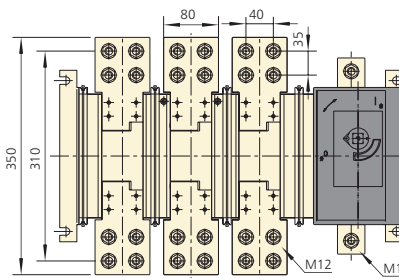


HH15-630/QSA





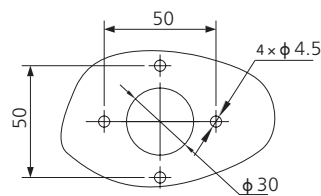
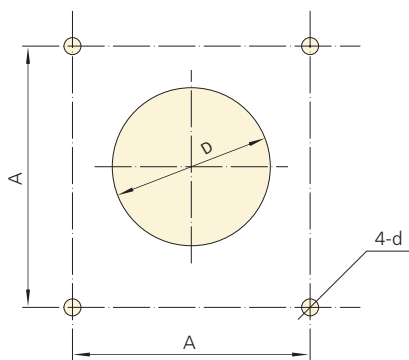
800~1000A



1250A

| Specification | A        | B        | C        | D        | E        | F        | G   | L1      | L2      |
|---------------|----------|----------|----------|----------|----------|----------|-----|---------|---------|
| HH15-63       | 155±1.25 | 100±1.10 | 175±1.25 | 90±0.75  | 135±1.25 | 88±1.10  | M5  | 165~225 | 165~385 |
| HH15-125      | 155±1.25 | 116±1.10 | 175±1.25 | 90±0.75  | 135±1.25 | 101±1.10 | M6  | 165~225 | 160~385 |
| HH15-160      | 240±1.45 | 146±1.25 | 178±2.0  | 130±1.25 | 100±1.1  | 126±1.25 | M8  | 220~270 | 220~390 |
| HH15-250      | 240±1.45 | 160±1.25 | 198±2.3  | 130±1.25 | 100±1.1  | 135±2.0  | M10 | 220~270 | 220~390 |
| HH15-400      | 240±1.45 | 160±1.25 | 198±2.3  | 130±1.25 | 100±1.1  | 135±2.0  | M10 | 220~270 | 220~390 |
| HH15-630      | 345±1.8  | 270±2.6  | 242±2.6  | 208±1.6  | 315±1.6  | 230±2.3  | M12 | 250~265 | 250~529 |

2.4 Boring dimension



HH15-800~1250/QSA

Opening size of the handle mounting panel

| Specification    | A      | D                | d                   |
|------------------|--------|------------------|---------------------|
| HH15-63, 125/QSA | 65±0.2 | $\phi 42^{+4}_0$ | $\phi 4.5^{+0.5}_0$ |
| HH15-160~630/QSA | 88±0.2 | $\phi 63^{+2}_0$ | $\phi 5.5^{+0.5}_0$ |

