



## NHR40 Fuse-switch Disconnecter

### 1. General

- 1.1 NHR40 series switch-disconnector with fuse is applicable in the circuit of AC50Hz, rated voltage AC690V and below, DC440V and below, rated current up to 630A. NHR40 series are infrequently manually operated multipolar fuse combination switches, They break or switch off on load and provide safely isolation and protection against overcurrent for any voltage electrical circuit.
- 1.2 Standard: IEC/EN 60947-3.

### 2. Type designation

NHR40 - □ / □ □ □

W: Extended rotary handle  
Blank: Direct rotary handle

C: Lateral operation  
Blank: Front operation

Three-pole  
Four-pole

Conventional thermal current

Series No.

**Note:** This switch should be used with RT36 (NT,RT16) or RT20 series fuses provided by the user.

### 3. Primary parameters

Conventional thermal current (A)		63	160	250	400	630	
Rated current voltage (A)		20、32、63	100、125、160	200、250	315、400	630	
Rated insulation voltage (V)		690V				800V	
Associated current (A)	400V ac22	20、32、63	100、125、160	200、250	315、400	630	
	400V AC23	20、32、63	100、125、160	200、250	315、400	630	
	690V AC22	20、32、63	100、125、160	200、250	315	425	
	690V AC23	20、32、63	100、125、160	200、250	315	425	
Rated current (A)	230V DC22	20、32、63	100、125、160	200、250	315、400	630	
	230V DC23	20、32、63	100、125、160	200、250	315、400	630	
	440V DC22	20、32、63	100、125、160	200、250	315	425	
	440V DC23	20、32、63	100、125、160	200、250	315	425	
Operation force (N)		60~80	65~100	80~120	100~150	230	
Associated fuse		Specification	00C	00	1	2	3

Remark:

- 1) With terminal shield
- 2) Two phases are connected in series according to the phase character

### 4. Structure and features

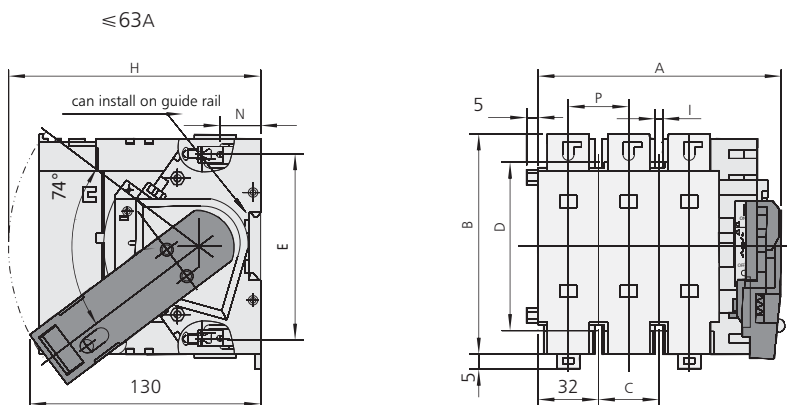
4.1 The switch adopts full-enclosed structure of reliable thermal characteristic to ensure reliable operation.

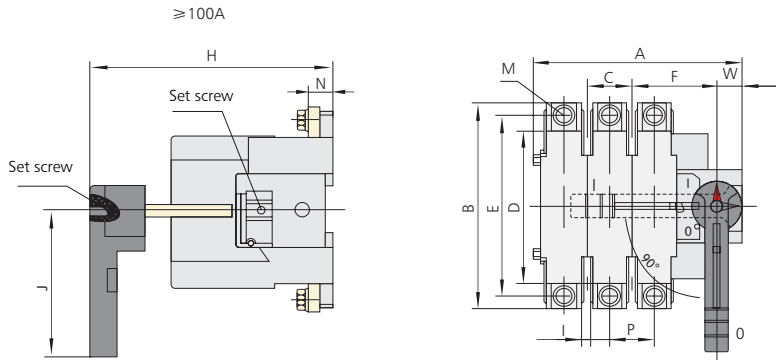
4.2 Each phase has two groups of contact system with double breaking points, these two groups of contacts are serially connected, which has improved its current breaking capability, and ensures the reliability of power supply disconnecting.

4.3 Manual rotated operation mechanism has energy storage spring, so the active contact can operate swifflly with no relation with operation speed.

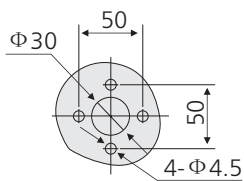
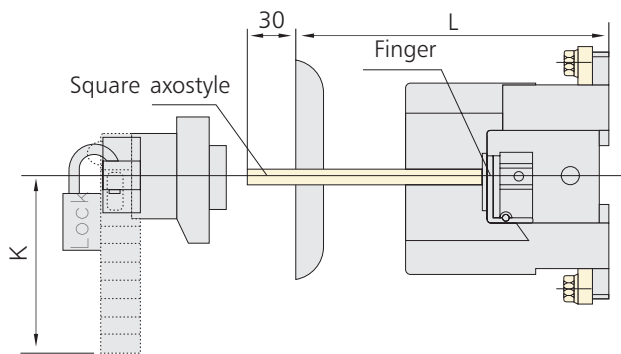
### 5. Overall and mounting dimensions (mm)

Facade operation inside the switchgear

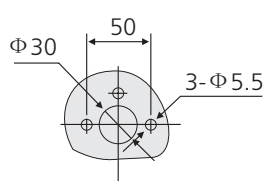




Facade operation outside the switchgear



100-400A Boring dimension on the panel



630A Boring dimension on the panel

Specification	Overall and mounting dimensions														
	A	B	C	D	E	F	H	I	J	L	M	N	W	P	K
63/2	108	120	-	92	96	-	160	4.5	-	-	-	22	-	32	-
63/3	140	120	32	92	96	-	160	4.5	-	-	-	22	-	32	-
63/4	172	120	60	92	96	-	160	4.5	-	-	-	22	-	32	-
160/2	128	162	36	120	142	67.5	190	5.5	115	205~325	8	19	21	36	126
160/3	165	162	36	120	142	67.5	190	5.5	115	205~325	8	19	21	36	126
160/4	202	162	36	120	142	67.5	190	5.5	115	205~325	8	19	21	36	126
250/2	185	195	60	160	166	91.5	210	5.5	145	205~325	10	19	21	60	126
250/3	240	195	60	160	166	91.5	210	5.5	145	205~325	10	19	21	60	126
250/4	300	195	60	160	166	91.5	210	5.5	145	205~325	10	19	21	60	126
400/2	214	205	66	170	176	122	210	5.5	145	205~325	10	25	21	66	126
400/3	280	205	66	170	176	122	210	5.5	145	205~325	10	25	21	66	126
400/4	346	205	66	170	176	122	210	5.5	145	205~325	10	25	21	66	126
630/3	346	300	250	250	268	39	350	Φ9	190	330~440	12	72	37	80	190
630/4	426	300	250	250	268	39	350	Φ9	190	330~440	12	72	37	80	190