



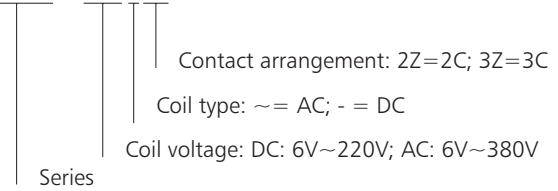
JQX-10F Miniature power relay

1. General

- 1.1 10A switching current
- 1.2 Various sockets available
- 1.3 Wide range of coil ratings
- 1.4 Certificate: UL, CE

2. Type designation

JQX-10F / 006 - 2Z



3. Technical data

Contact Arrangement		2C, 3C
Initial contact resistance	mΩ	100
Contact material		Silver alloy
Rated load (resistive)		10A/250VAC, 10A/28VDC
Max. switching voltage	VAC	250
	VDC	125
Max. switching current	A	10
Max. switching power	VA	2500
	W	280
Electrical endurance	Cycles(×10 ³)	100
Machanical endurance	Cycles(×10 ⁶)	10

4. Coil specification

AC

Rated voltage	Holding voltage	Must drop-out voltage	Operating range	Power consumption
6	80%Un	20%Un	(80%~110%)Un	3VA
12				
24				
36				
48				
110				
127				
220				
230				
380				

DC

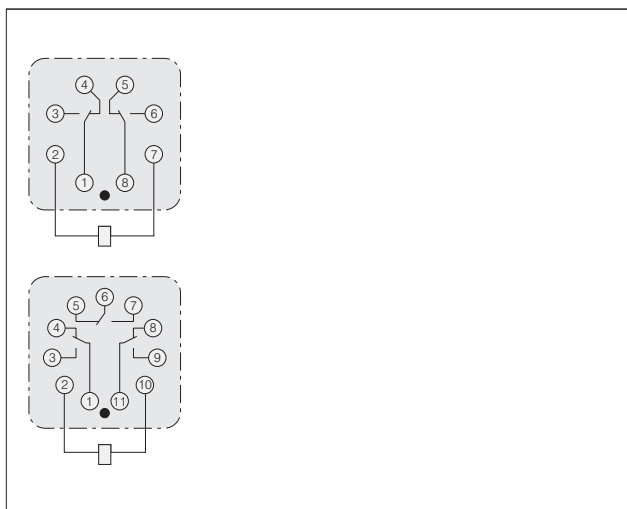
Rated voltage	Holding voltage	Must drop-out voltage	Operating range	Power consumption
5	75%Un	10%Un	(75%~110%)Un	2W
6				
12				
24				
36				
48				
110				
127				
220				

5. Characteristics

Insulation resistance(at 500VDC)		MΩ	100
Dielectric strength	Between coil & contacts		1500VAC
	Between open contacts		1000VAC
Operation time		ms	≤25
Release time		ms	≤25
Shock resistance		m/s ²	100
Vibration			10~55Hz,1mm double amplitude
Humidity			98% RH at +20℃
Ambient temperature range		℃	-40~+55
Termination			Plug-in, PCB
Dimension		mm	35×35×52

6. Overall and mounting dimensions (mm)

Internal connection (bottom view)



Dimensions

